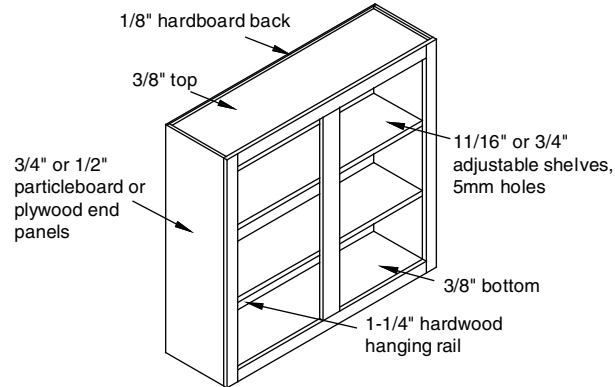




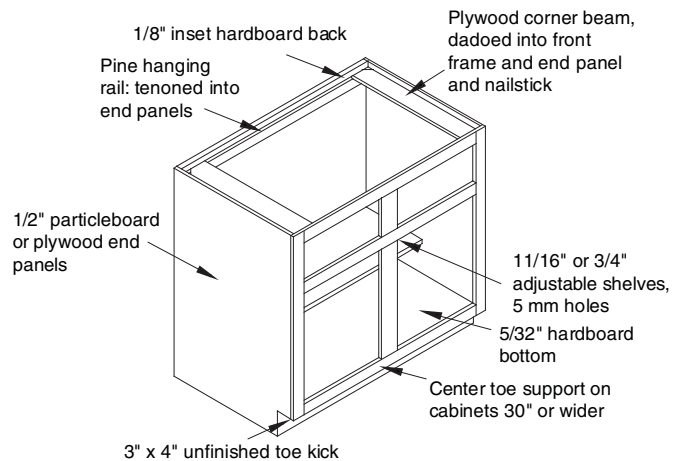
# Standard Specifications

## Base and Wall Construction

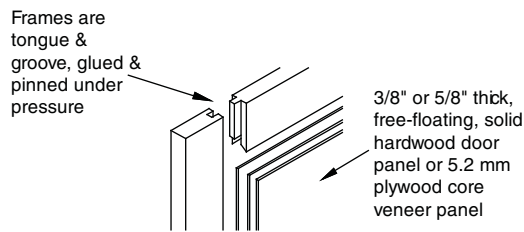
### Wall Construction



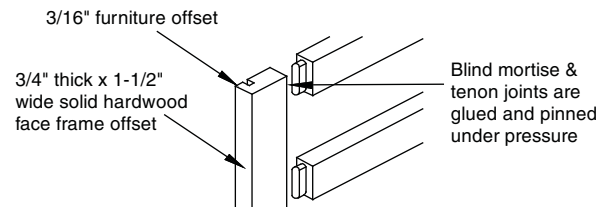
### Base Construction



### Door Construction



### Face Frame Construction



All doors, drawer fronts and face frames are finished with an exclusive, ultra-violet cured, automated spray system.

## Drawer Construction

All drawers (except spice drawer units) are constructed of 5/8" thick solid hardwood with dovetail joints on all four corners. A 5mm plywood core drawer bottom is fully captured in grooves on all four edges. The bottom is further secured using adhesive and fasteners.

Drawer fronts are fastened to the box using screws.

#### STANDARD GUIDES:

Drawer slides are 100 lbs. capacity, epoxy-coated, double-captive, undermount drawer guides. These guides are self-closing and are side adjustable using the back mounting blocks.

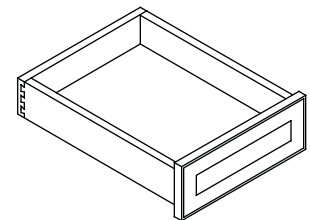
#### OPTIONAL GUIDES:

On most cabinets, an upgrade to full extension (F-EXT) drawer guides is available.

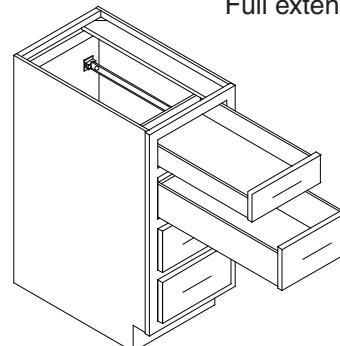
#### Interior Drawer Box Dimensions

	Front to back
<b>Base Drawer</b> .....	<b>19-3/4"</b>
<b>Vanity 21 Drawer</b> .....	<b>16-3/4"</b>
<b>Vanity 18 Drawer</b> .....	<b>13-3/4"</b>
<b>WCA Drawer</b> .....	<b>13-3/4"</b>
<b>12" Wall Drawer</b> .....	<b>7-3/4"</b>

#### Standard Drawer



#### Full extension drawer guides



Standard, epoxy-coated undermount guides. Rated at 100 lbs.  
Full extension, ball bearing undermount guides. Rated at 125 lbs.