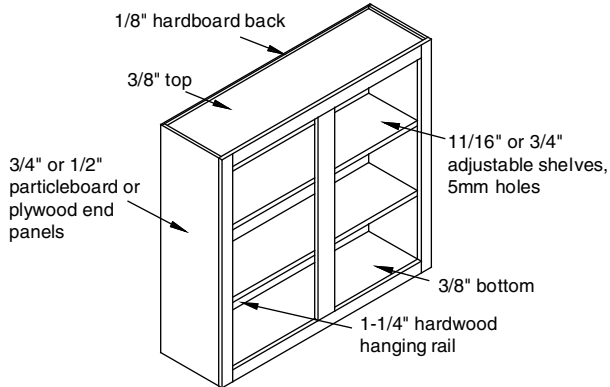


Standard Specifications

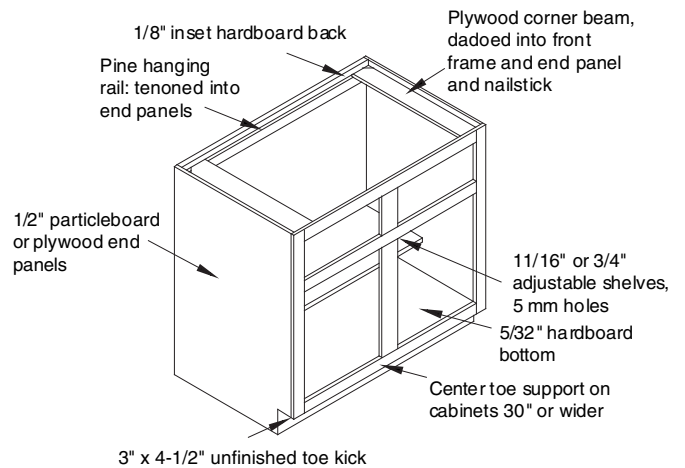


Base and Wall Construction

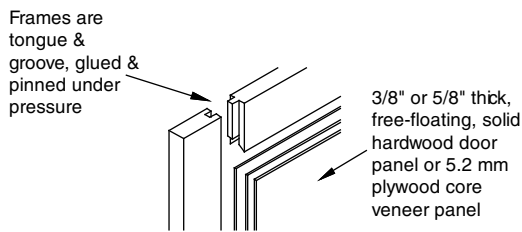
Wall Construction



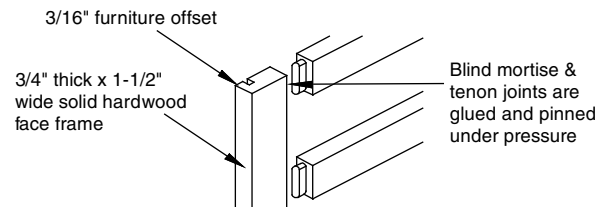
Base Construction



Door Construction



Face Frame Construction



All doors, drawer fronts and face frames are finished with an exclusive, ultra-violet cured, automated spray system.

Drawer Construction

All drawers (except spice drawer units) are constructed of 5/8" thick solid hardwood with dovetail joints on all four corners. A 5mm plywood core drawer bottom is fully captured in grooves on all four edges. The bottom is further secured using adhesive and fasteners.

Drawer fronts are fastened to the box using screws.

STANDARD GUIDES:

Drawer slides are 75 lbs. capacity, epoxy-coated, double-captive, undermount drawer guides. These guides are self-closing and are side adjustable using the back mounting blocks. Some cabinets are standard with full extension guides and will be so noted with FEXT.

OPTIONAL GUIDES:

On most cabinets, an upgrade to full extension (FEXT) drawer guides is available.

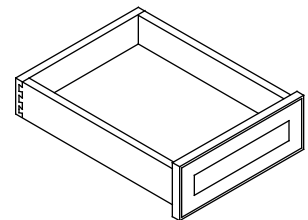
Option 300 (OPT#300) will upgrade the standard guide sets to use Blumotion drawer guides. These guides are full extension with soft-close feature.

Option 303 (OPT#303) will upgrade the standard guide sets to use a full-extension guide with soft-close feature.

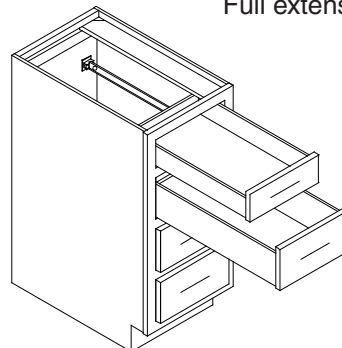
Interior Drawer Box Dimensions

	Front to back
Base Drawer.....	19-3/4"
Vanity 21 Drawer.....	16-3/4"
Vanity 18 Drawer.....	13-3/4"
WCA Drawer.....	13-3/4"
12" Wall Drawer.....	7-3/4"

Standard Drawer



Full extension drawer guides



Standard, epoxy-coated undermount guides. Rated at 75 lbs.
Full extension, ball bearing undermount guides. Rated at 125 lbs.